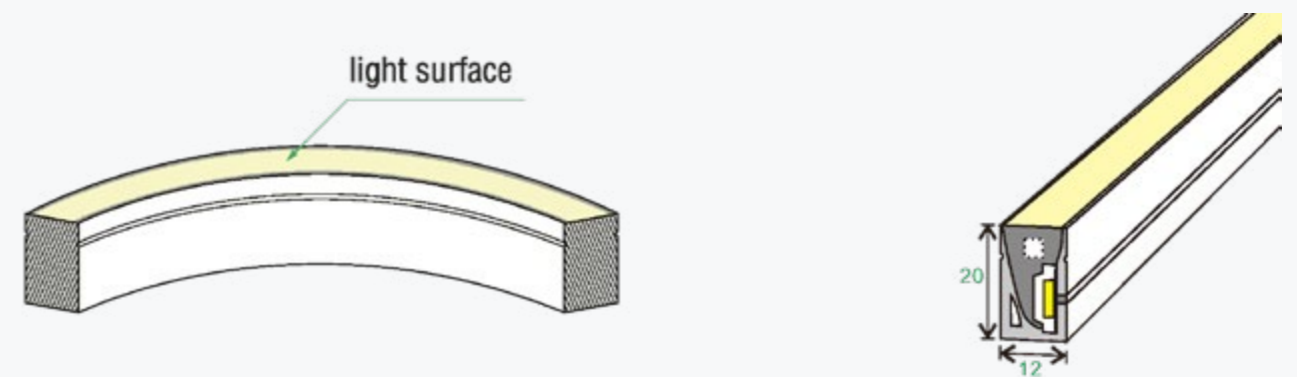


## TECHNICAL SPECIFICATIONS

Voltage **24V**  
LED Type **RGB / Single Colour**  
LED's Per Meter **84 [RGB] / 120 [S]**  
LED Type **SMD5050 [RGB] / 3528 [S]**  
Power Consumption **20W/M [RGB] / 10W/M [S]**  
Channels **3Ch [RGB] / 1Ch [S]**  
IP Rating **IP67**  
Cutting Points **72mm [RGB] / 50mm [S]**  
Operating Temp Range **-20 to 50°C**

## DIMENSIONS



## BENDING DIAMETER



# SQUARE NEON FLEX

## CV LED FLEXIBLE NEON

A completely flexible, completely homogeneous line of light, available in single colour or static RGB. Perfect for highlighting architectural features where a robust weatherproof solution is essential.

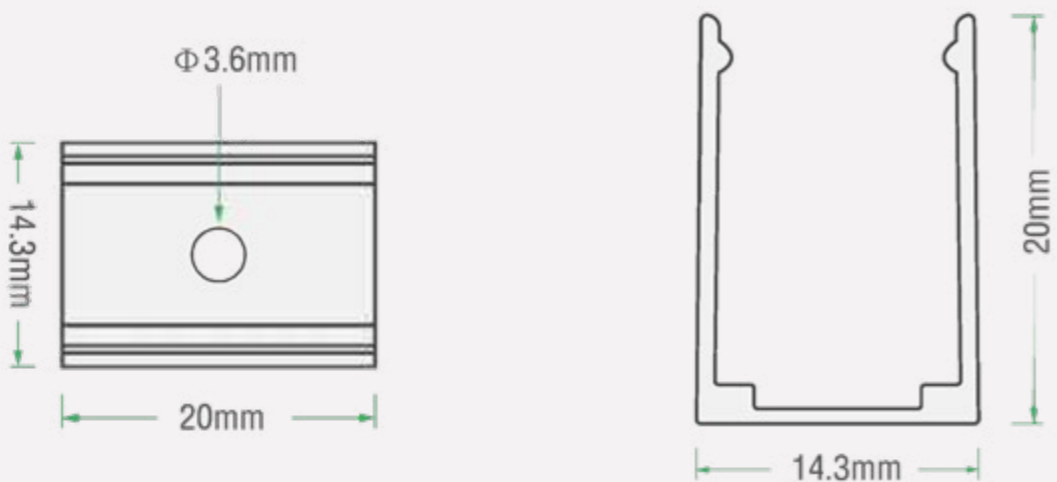
Designed for ease of installation and for peace of mind with high reliability as a must.

**Product Code: NF-SQ- RGB / S**

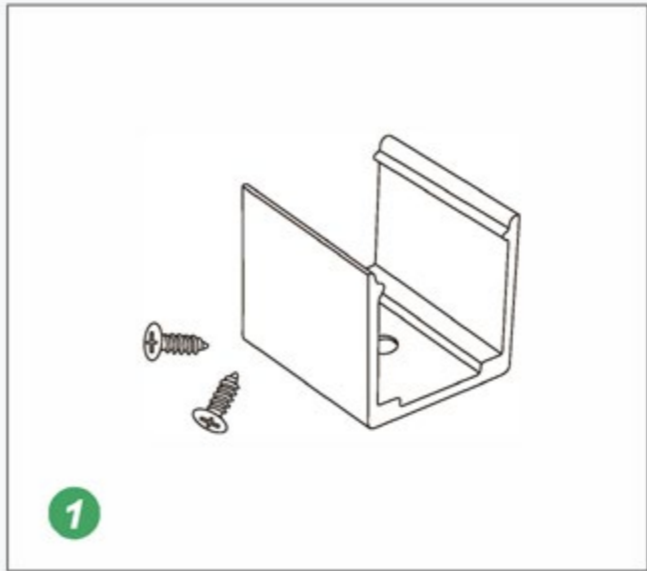
INCORRECT BENDING



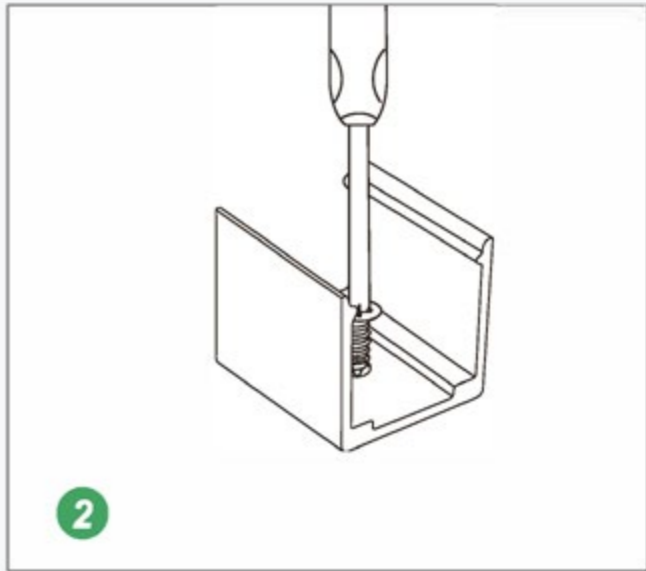
FIXING CLIP



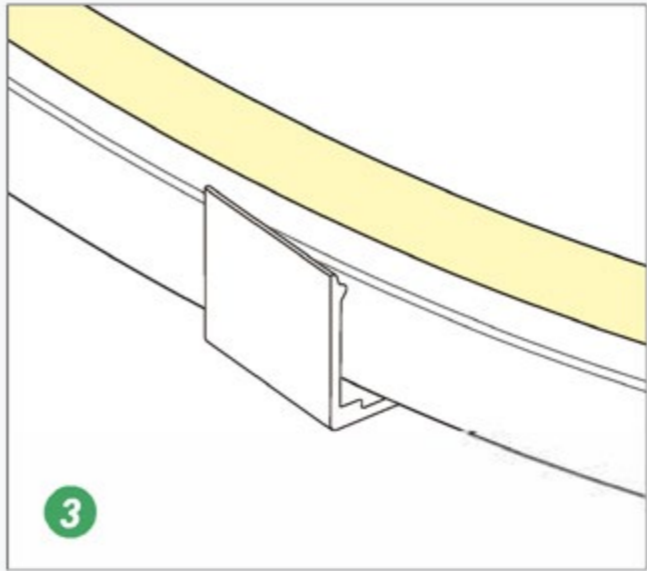
INSTALLATION



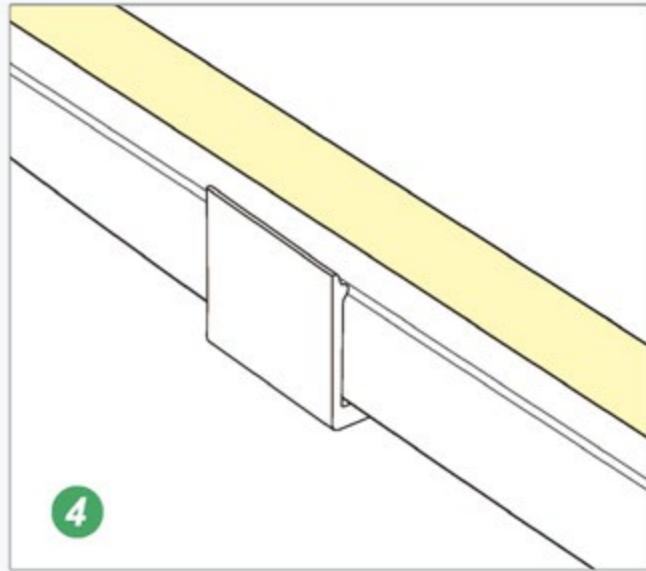
Prepare the screws and fixed clips



Adjust the fixed clips to the appropriate place, use a screwdriver to fix the screw.



Put the light emitting surface upwards, then insert the LED strip into the fixed clips



Fix led strip completely into the fixed clip